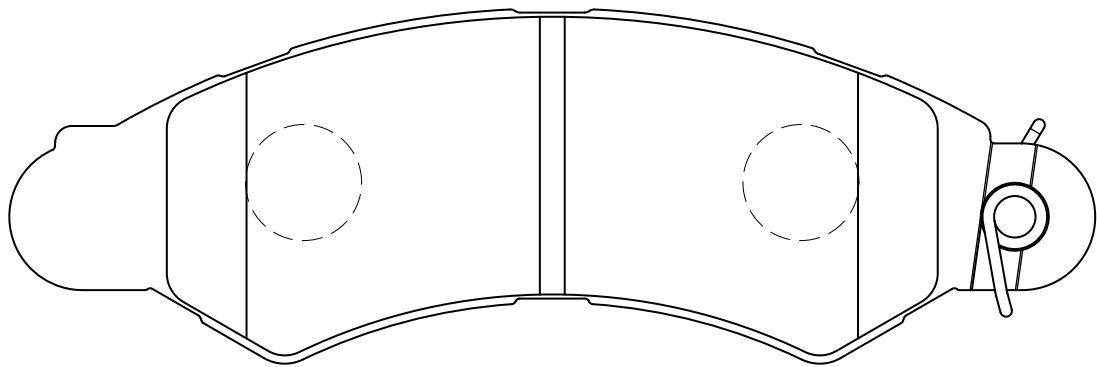
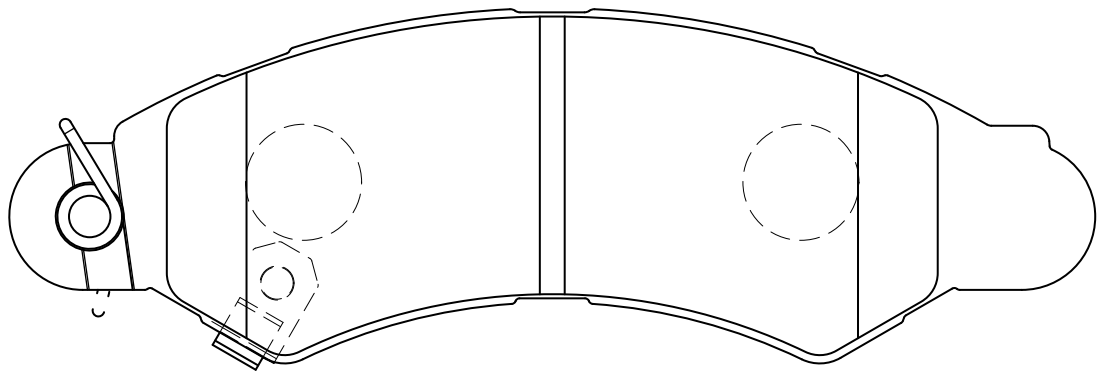


The **REVSPEC**
PRIMES

PR-F259



W:131.1 × H:34.5 × T:14.5