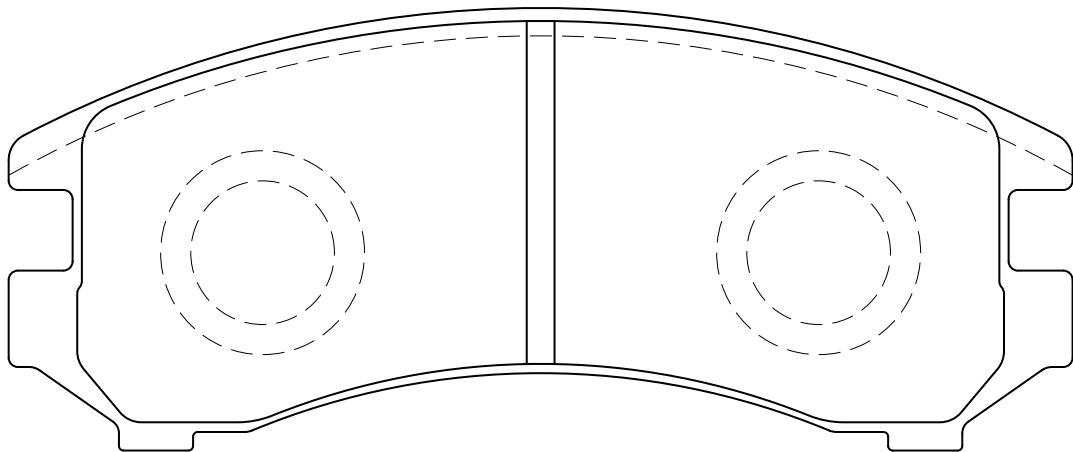
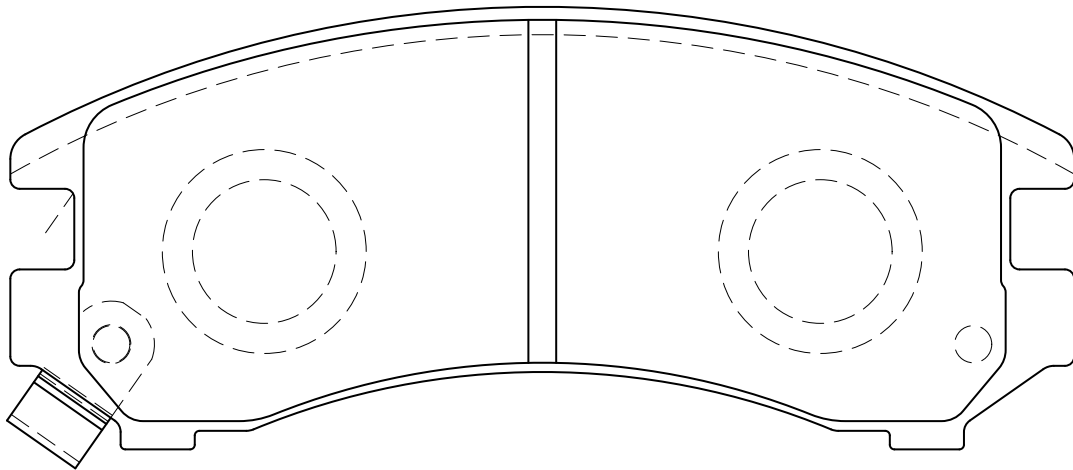


*The* **REVSPEC**  
**PRIMES**

PR-N011



W:114.8 × H:39.5 × T:16