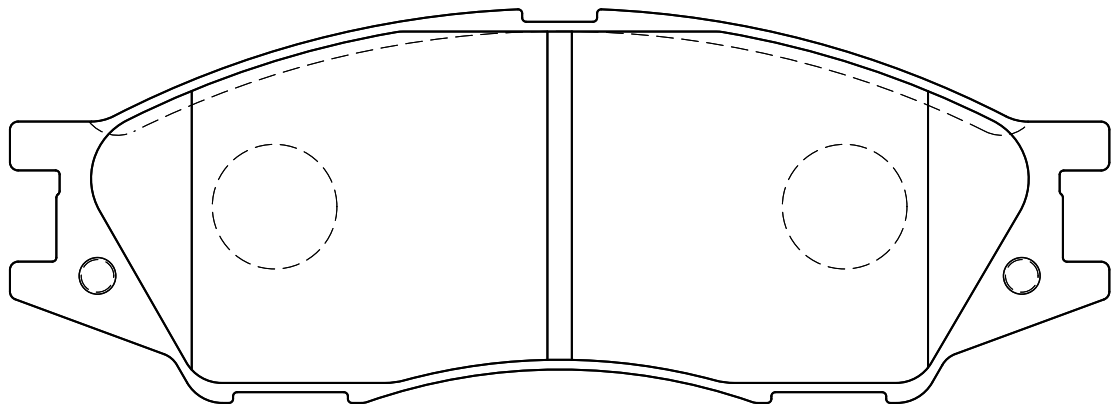
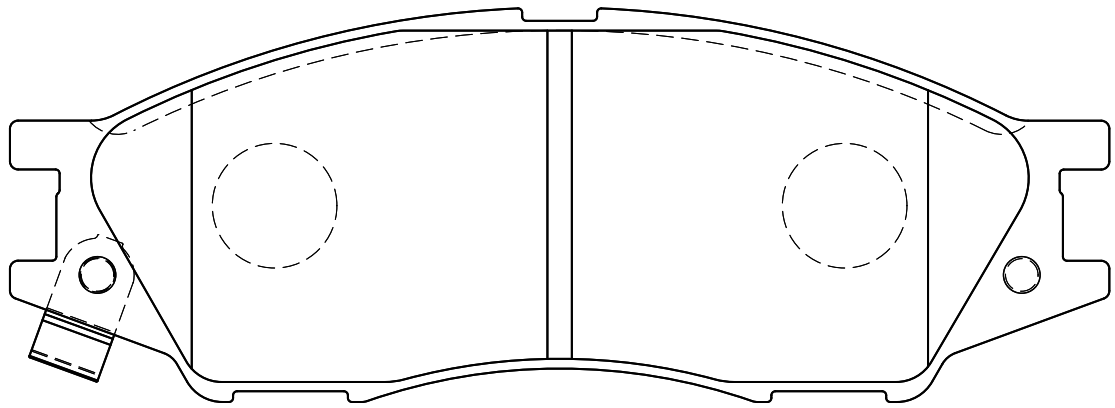


*The* **REVSPEC**  
**PRIMES**

PR-N109



W:135 × H:43 × T:15.5