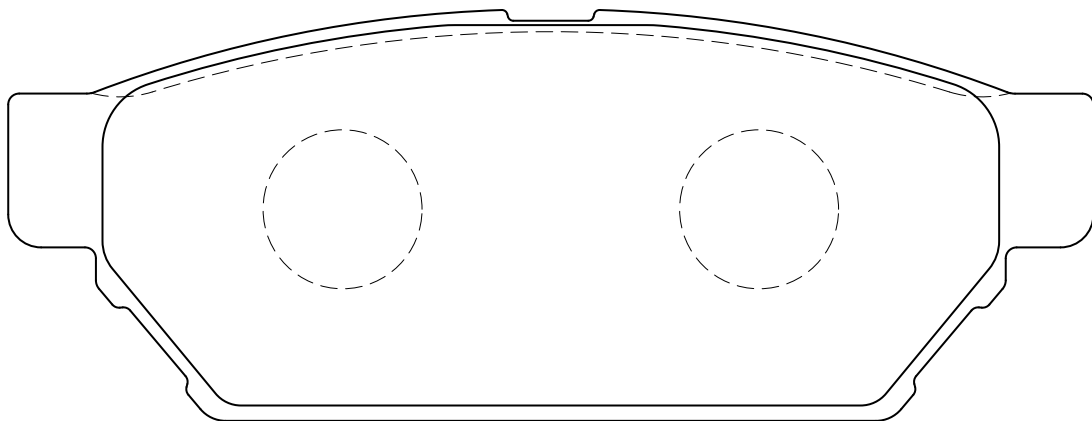
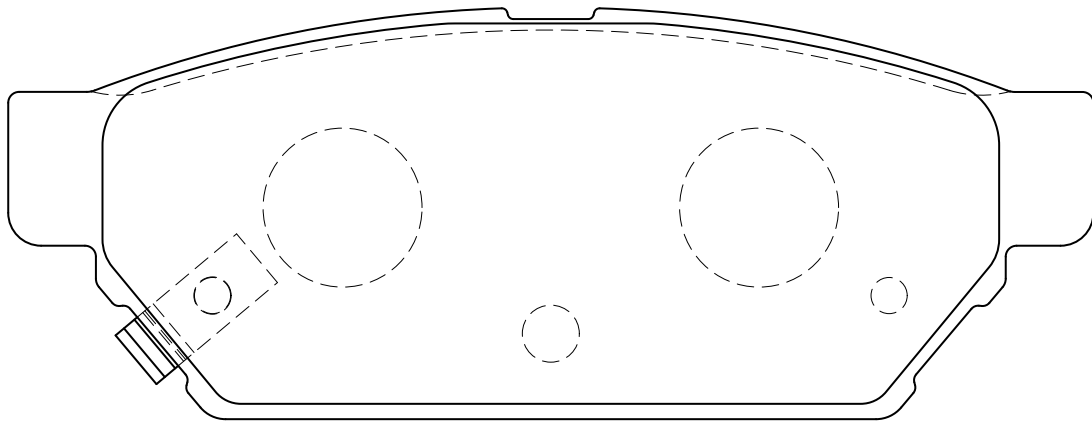


*The* **REVSPEC**  
**PRIMES**

PR-S551



W:99 × H:36.5 × T:14.5