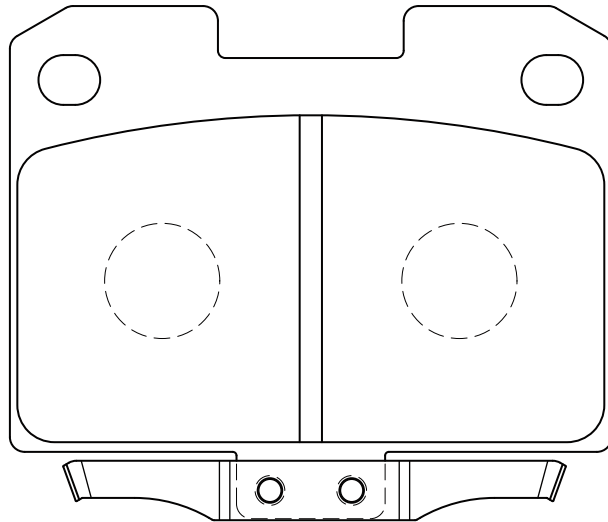
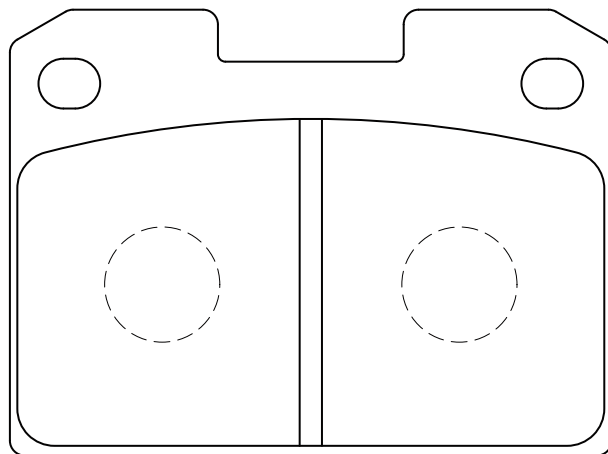


*The* **REVSPEC**  
**PRIMES**

PR-S585



W:81.2 × H:62 × T:16



W:81.2 × H:53 × T:16