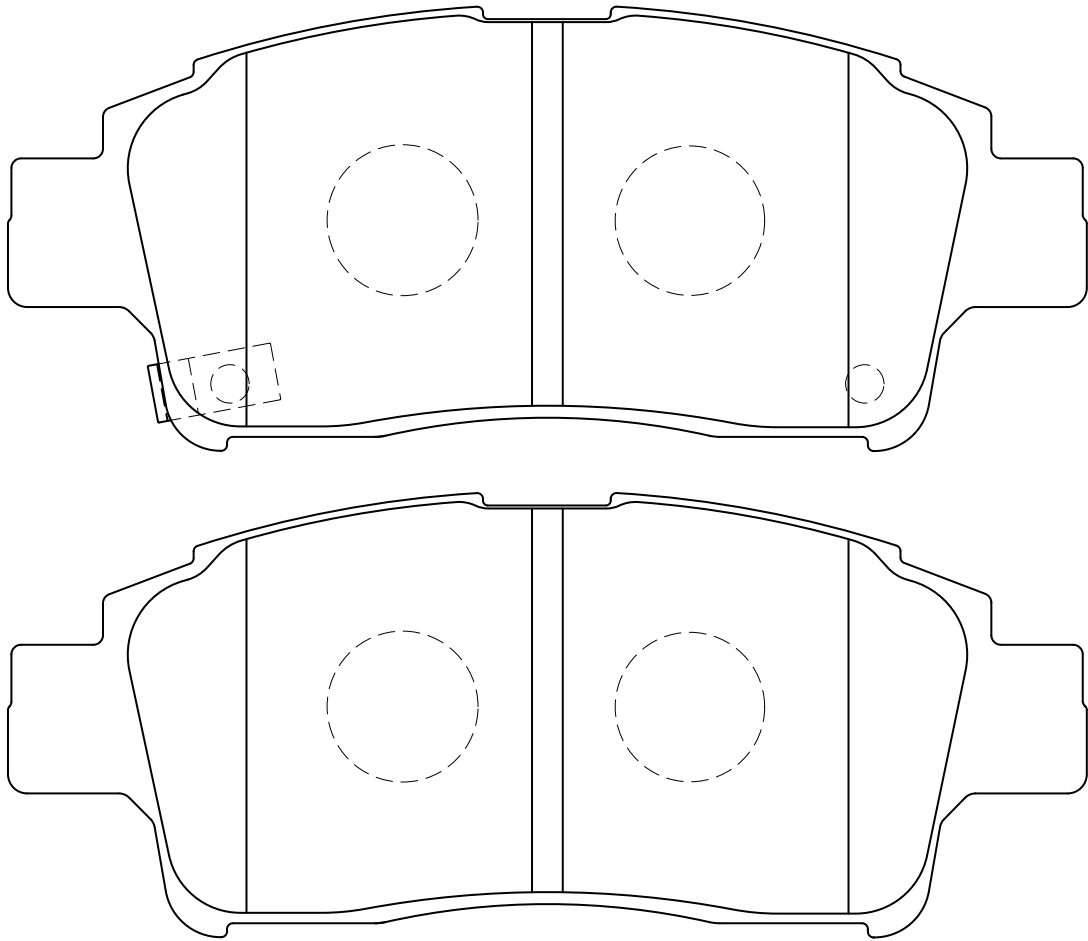


*The* **REVSPEC**  
**PRIMES**

PR-T111



W:112.4 × H:41.5 × T:16