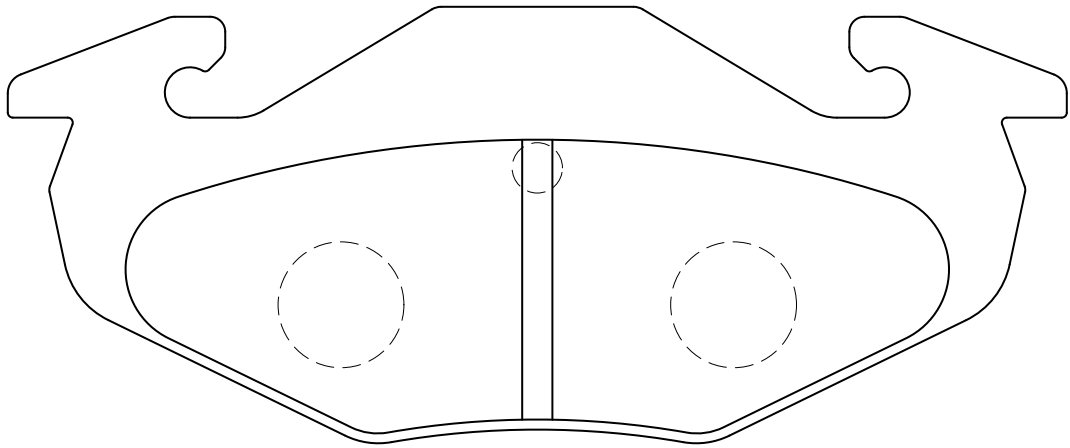


The **REVSPEC**
PRIMES

PR-Z580



W:105 × H:42 × T:12.5